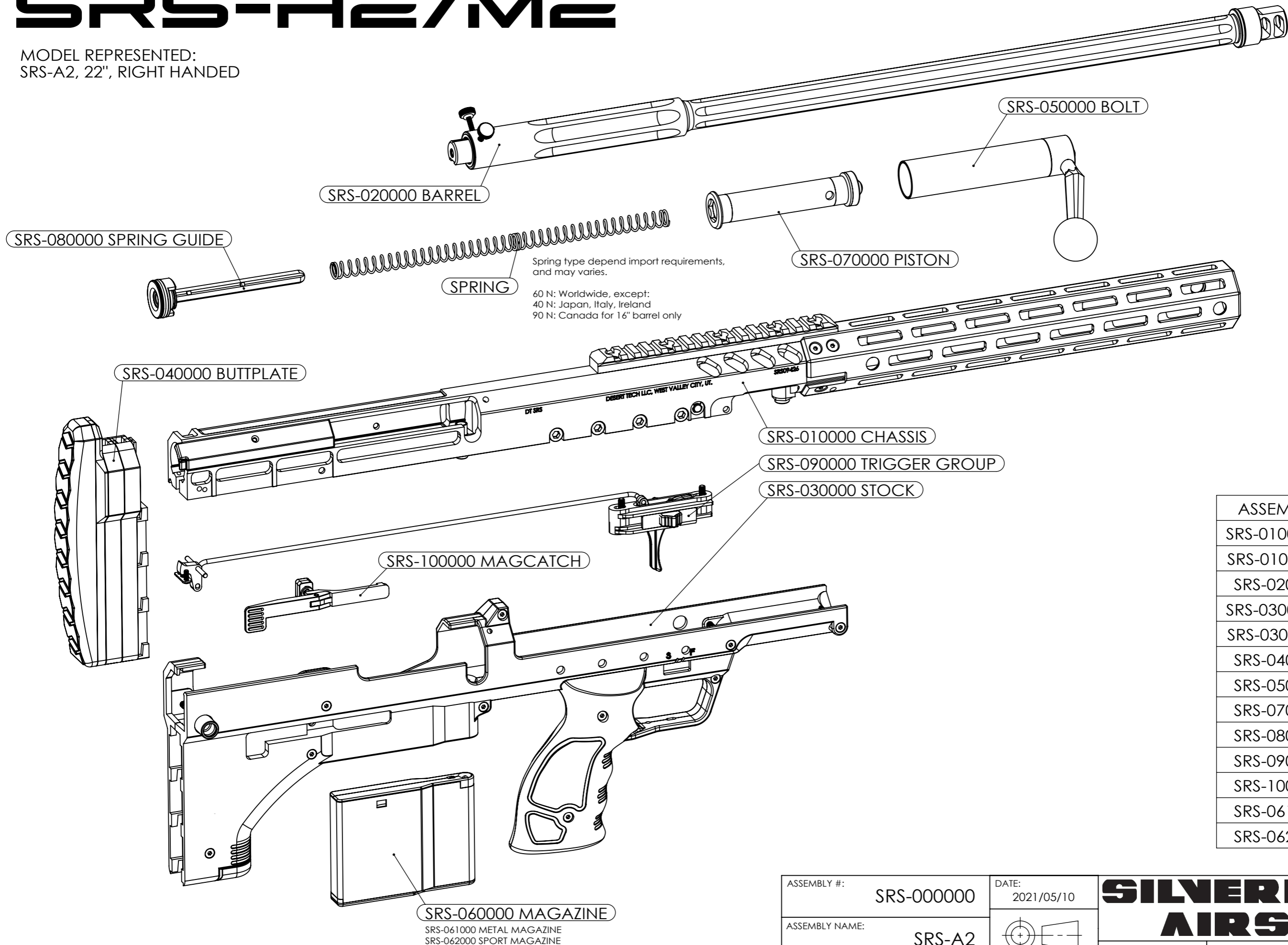


# SRS-A2/M2

MODEL REPRESENTED:  
SRS-A2, 22", RIGHT HANDED



SRS-080000 SPRING GUIDE

SRS-020000 BARREL

SRS-050000 BOLT

SRS-070000 PISTON

SPRING

Spring type depend import requirements, and may varies.

60 N: Worldwide, except:  
40 N: Japan, Italy, Ireland  
90 N: Canada for 16" barrel only

SRS-040000 BUTTPLATE

SRS-010000 CHASSIS

SRS-090000 TRIGGER GROUP

SRS-030000 STOCK

SRS-100000 MAGCATCH

SRS-060000 MAGAZINE

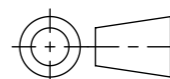
SRS-061000 METAL MAGAZINE  
SRS-062000 SPORT MAGAZINE

ASSEMBLY	SHEET
SRS-010000-R	2
SRS-010000-L	3
SRS-020000	4
SRS-030000-R	5
SRS-030000-L	6
SRS-040000	7
SRS-050000	7
SRS-070000	7
SRS-080000	7
SRS-090000	8
SRS-100000	8
SRS-061000	9
SRS-062000	9

ASSEMBLY #: SRS-000000

DATE: 2021/05/10

ASSEMBLY NAME: SRS-A2



**SILVERBACK AIRSOFT**

SCALE:2:5

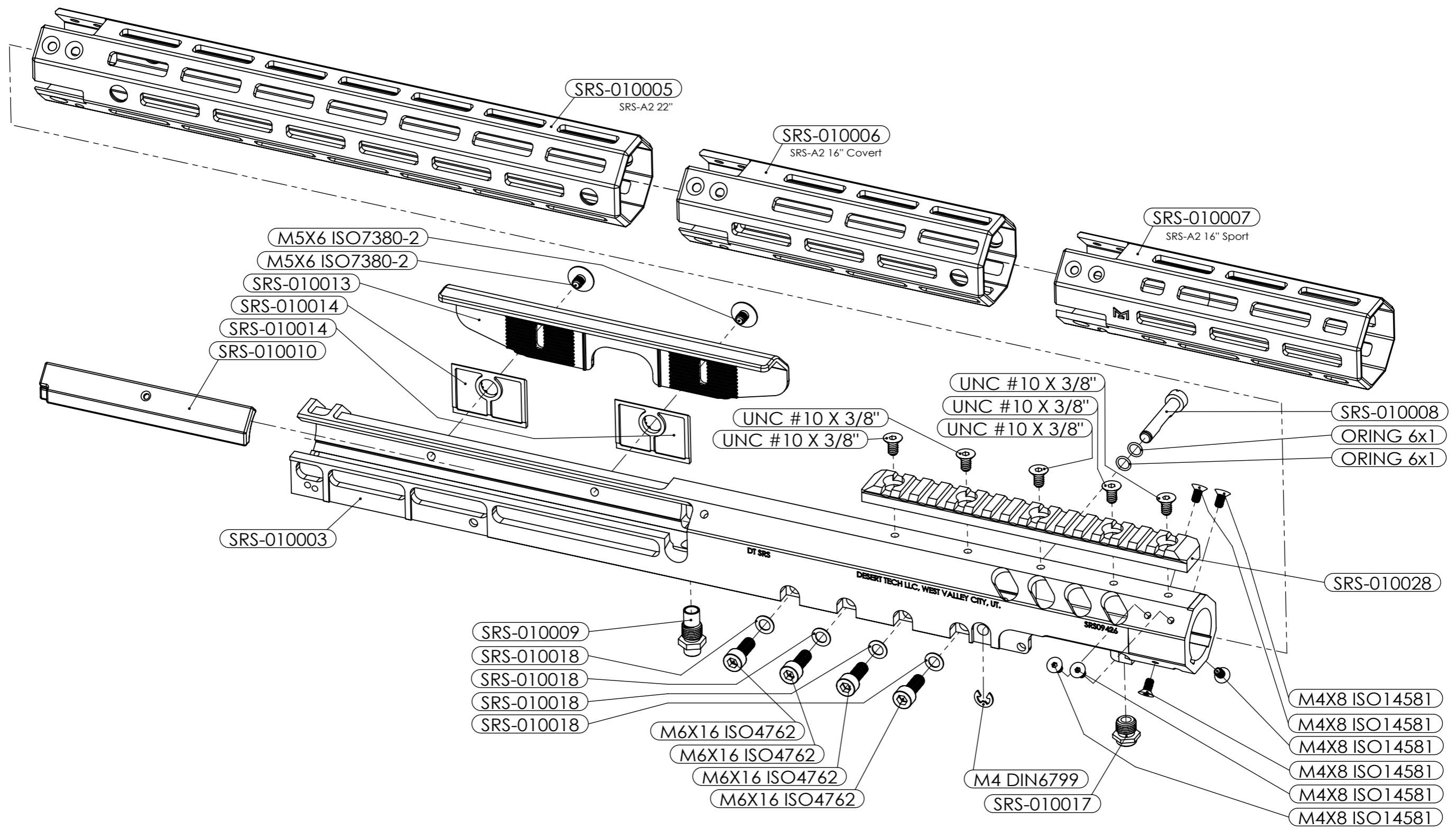
SHEET 1 OF 9

A3

8 7 6 5 4 3 2 1

F  
E  
D  
C  
B  
A

F  
E  
D  
C  
B  
A



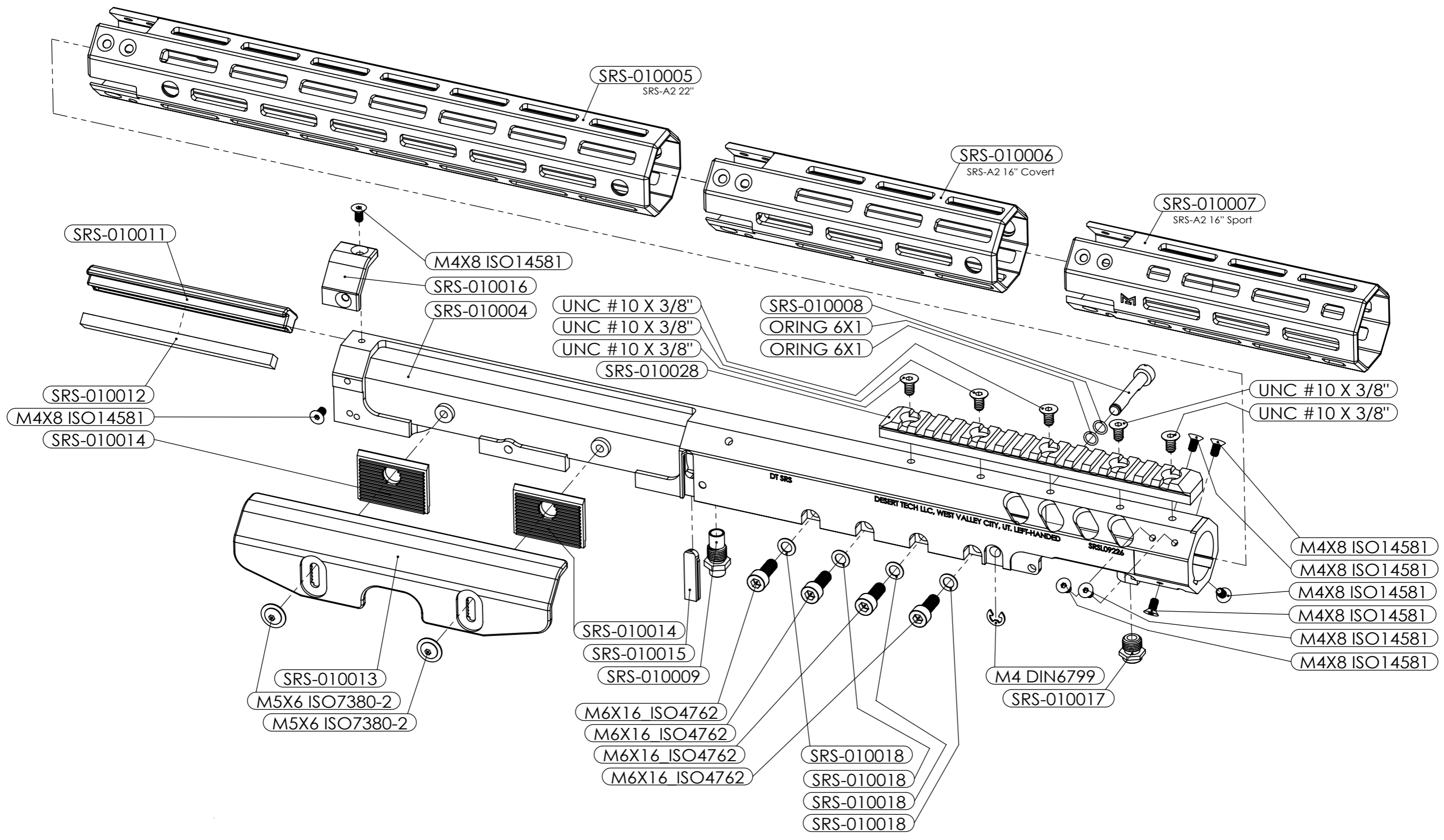
ASSEMBLY #: <b>SRS-010000-R</b>	DATE: 2021/05/10	<b>SILVERBACK AIRSOFT</b>
ASSEMBLY NAME: <b>CHASSIS (RIGHT HANDED)</b>		
SCALE: 1:2		SHEET 2 OF 9
		A3

8 7 6 5 4 3 2 1

8 7 6 5 4 3 2 1

F  
E  
D  
C  
B  
A

F  
E  
D  
C  
B  
A



ASSEMBLY #: <b>SRS-010000-L</b>	DATE: 2021/05/10	<b>SILVERBACK AIRSOFT</b>
ASSEMBLY NAME: <b>CHASSIS (LEFT HANDED)</b>		
SCALE: 1:2		SHEET 3 OF 9
		A3

8 7 6 5 4 3 2 1



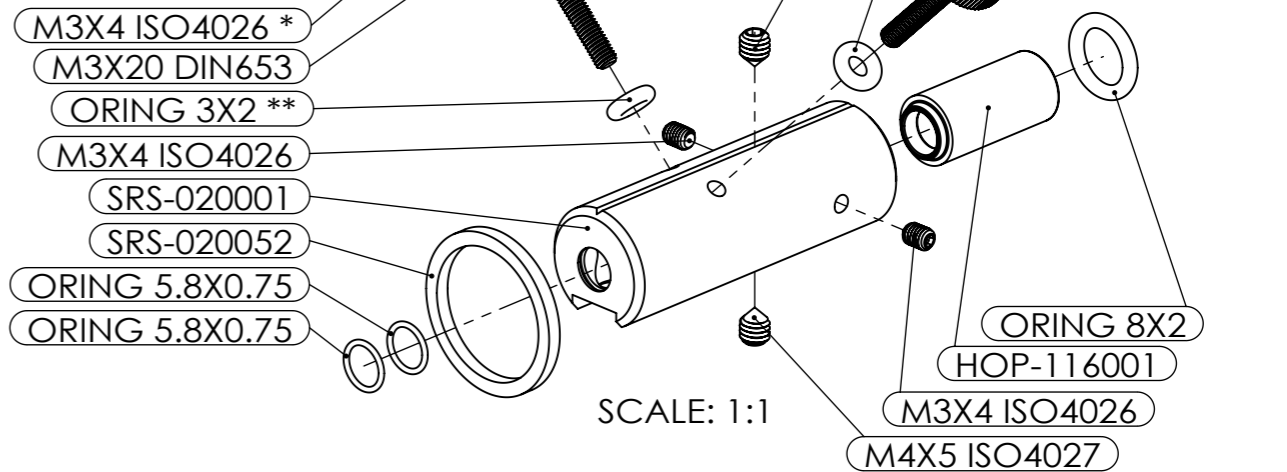
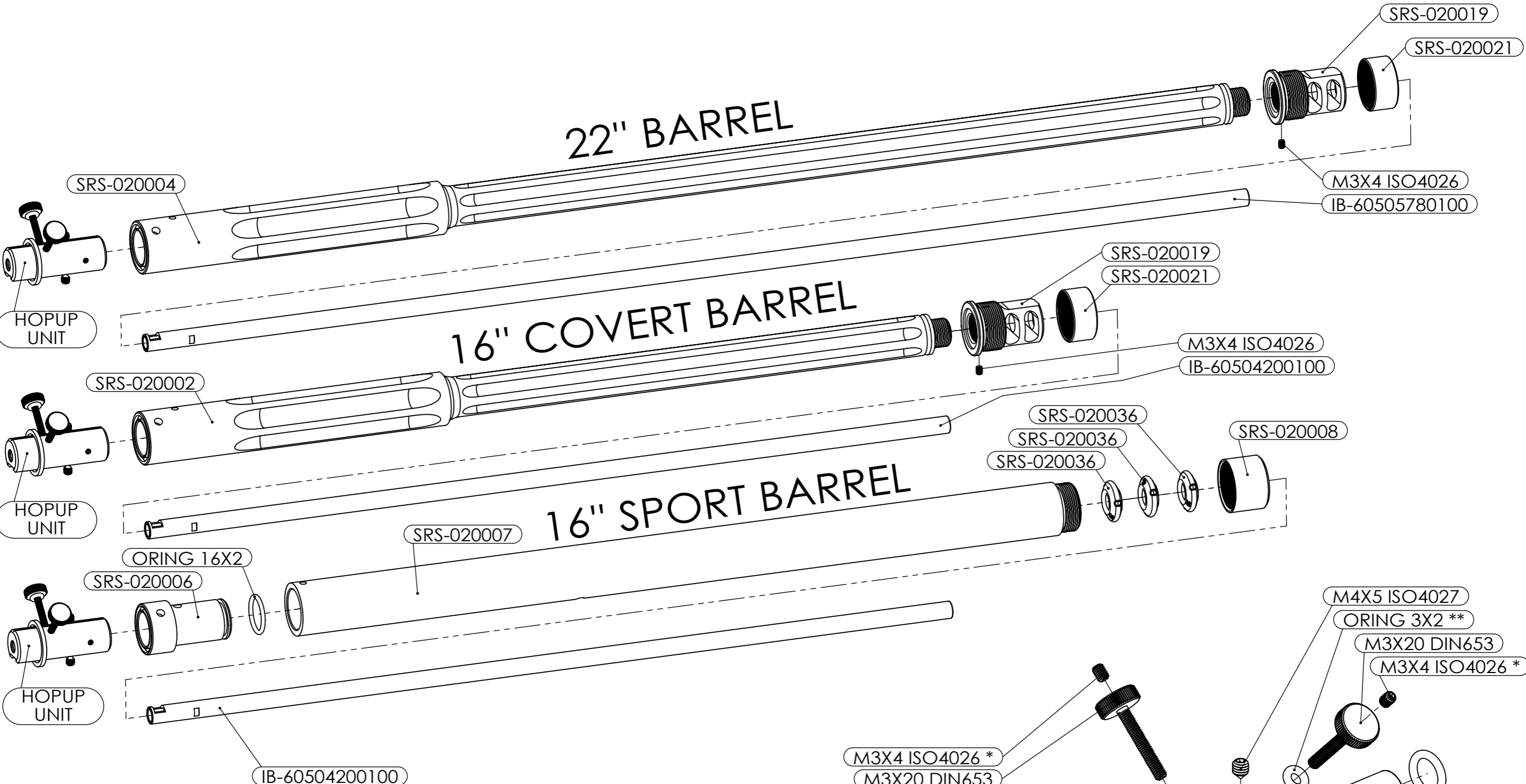
8 7 6 5 4 3 2 1

22" BARREL

16" COVERT BARREL

16" SPORT BARREL

HOPUP UNIT



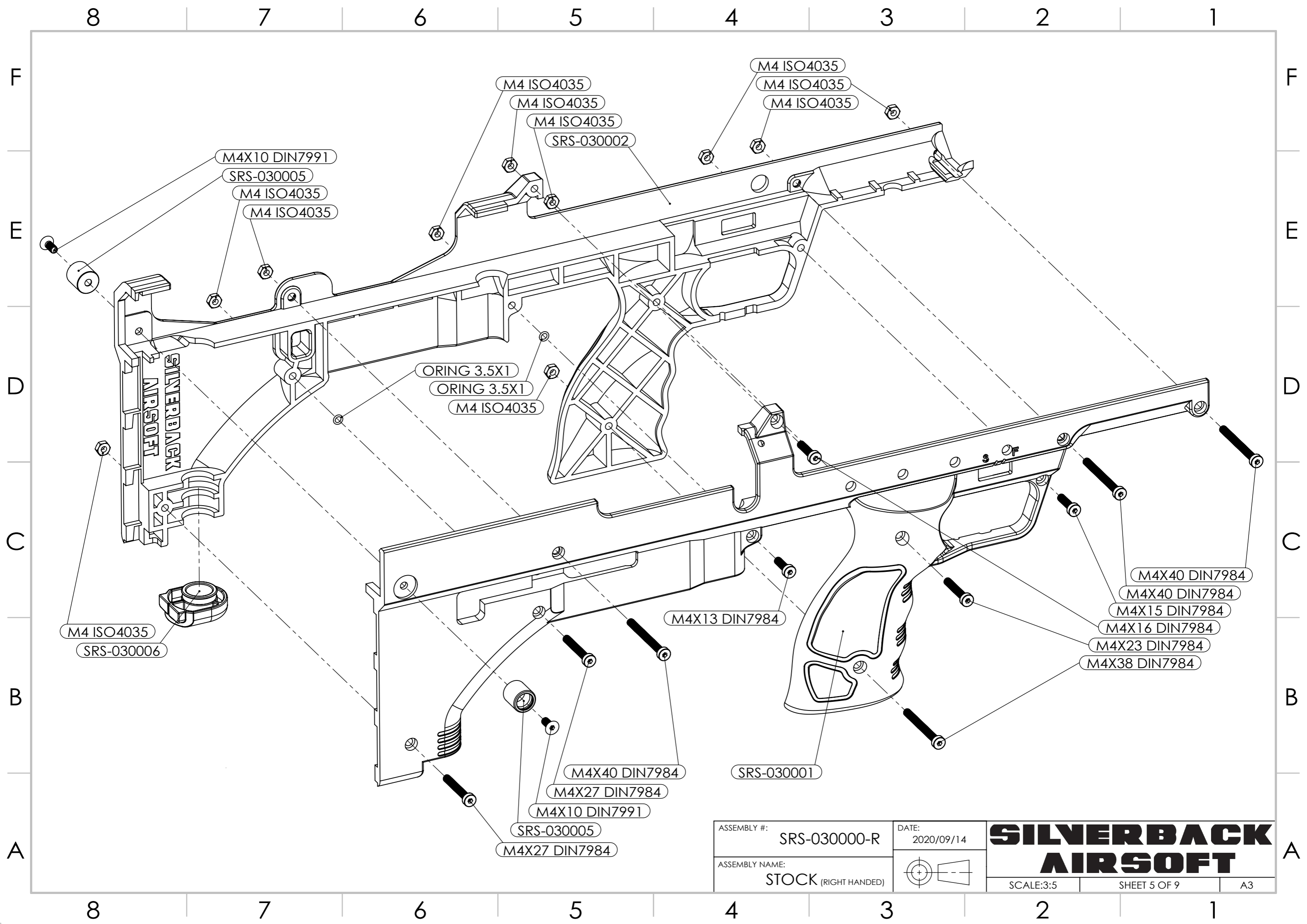
SCALE: 1:1

(\*) M3X4 ISO4026 screws can be used instead of M3X20 DIN653 + Orings. Setscrews allows barrel swap without losing hopup adjustments, but require 1.5 mm Allen screwdriver for adjustments.

(\*\*) This oring is acting a setting locker. If it limiteded the adjustment range too much, you can replace it by the 3x1.5 Oring provided with your SRS in the accessory bag.

ASSEMBLY #:	SRS-020000	DATE:	2020/09/14	<b>SILVERBACK AIRSOFT</b>
ASSEMBLY NAME:	BARRELS 22" / 16" Covert / 16" Sport			
		SCALE: 1:2	SHEET 4 OF 9	A3

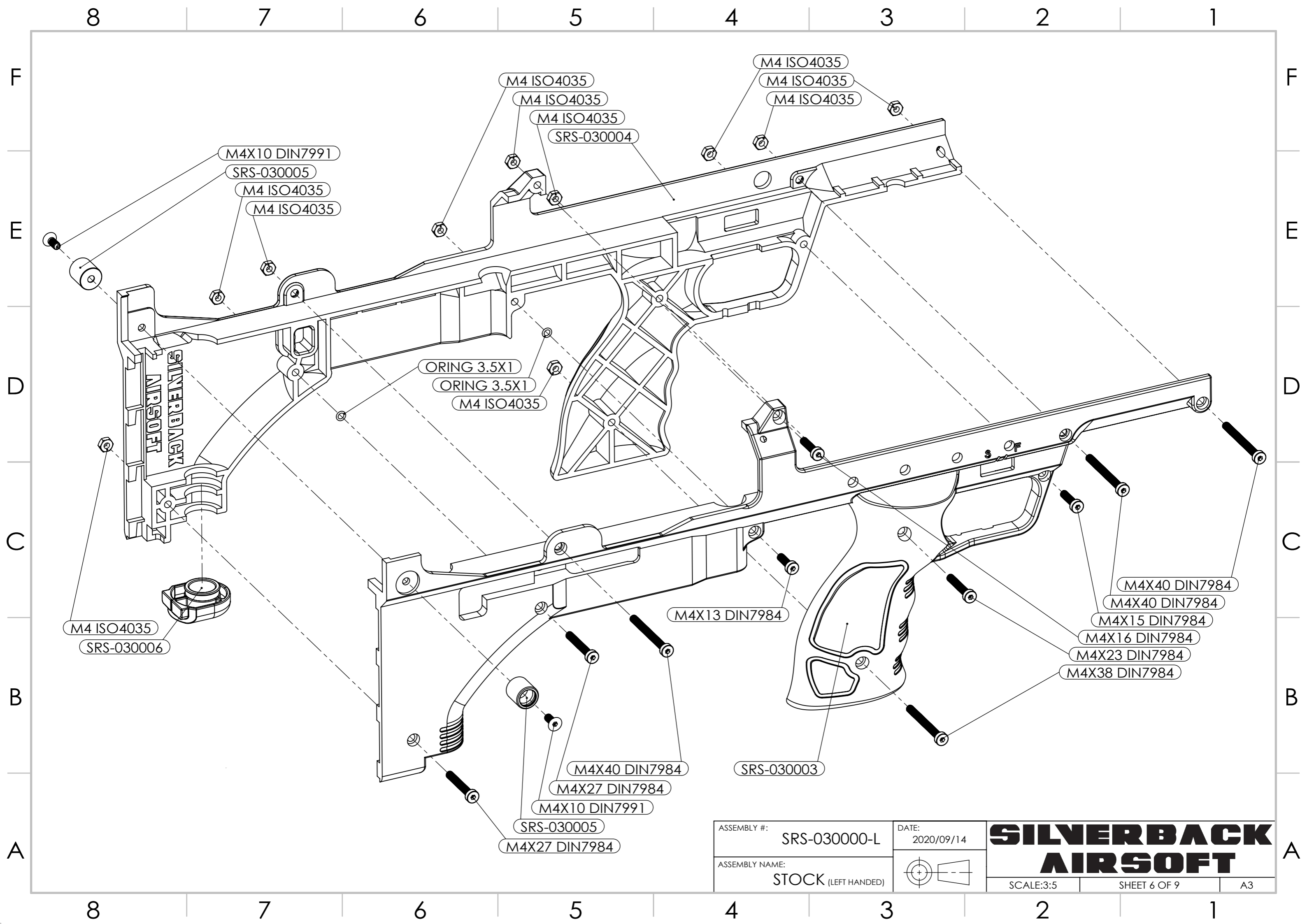
8 7 6 5 4 3 2 1



ASSEMBLY #: SRS-030000-R  
 ASSEMBLY NAME: STOCK (RIGHT HANDED)

DATE: 2020/09/14

**SILVERBACK AIRSOFT**  
 SCALE:3:5 SHEET 5 OF 9 A3



ASSEMBLY #: SRS-030000-L  
 ASSEMBLY NAME: STOCK (LEFT HANDED)

DATE: 2020/09/14

**SILVERBACK AIRSOFT**  
 SCALE:3:5 SHEET 6 OF 9 A3



8

7

6

5

4

3

2

1

F

F

E

E

D

D

C

C

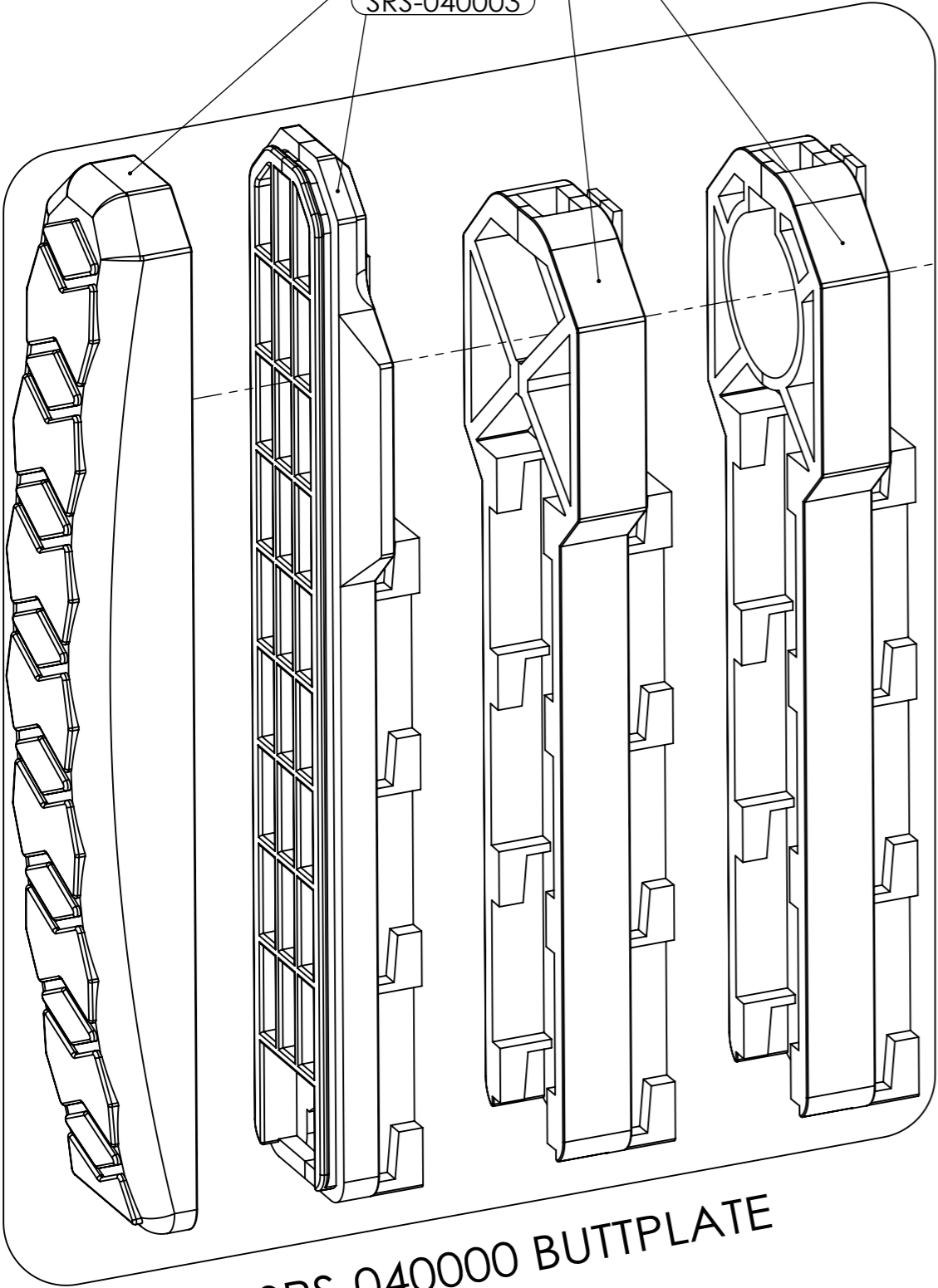
B

B

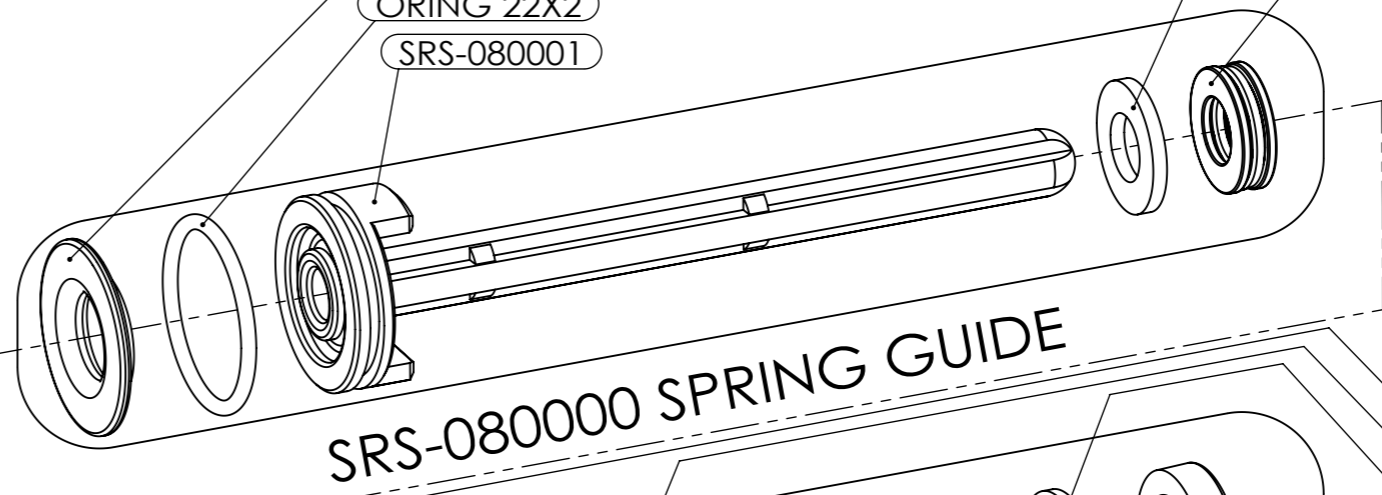
A

A

SRS-040001  
 SRS-040002  
 SRS-040004  
 SRS-040003

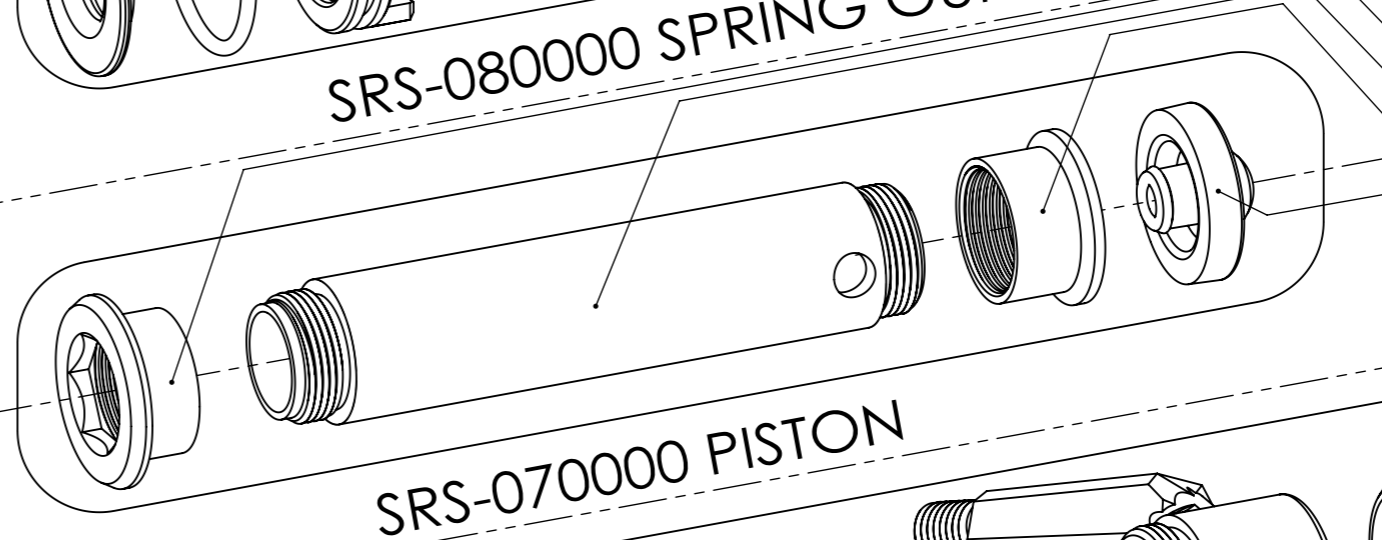


SRS-080008  
 ORING 22X2  
 SRS-080001



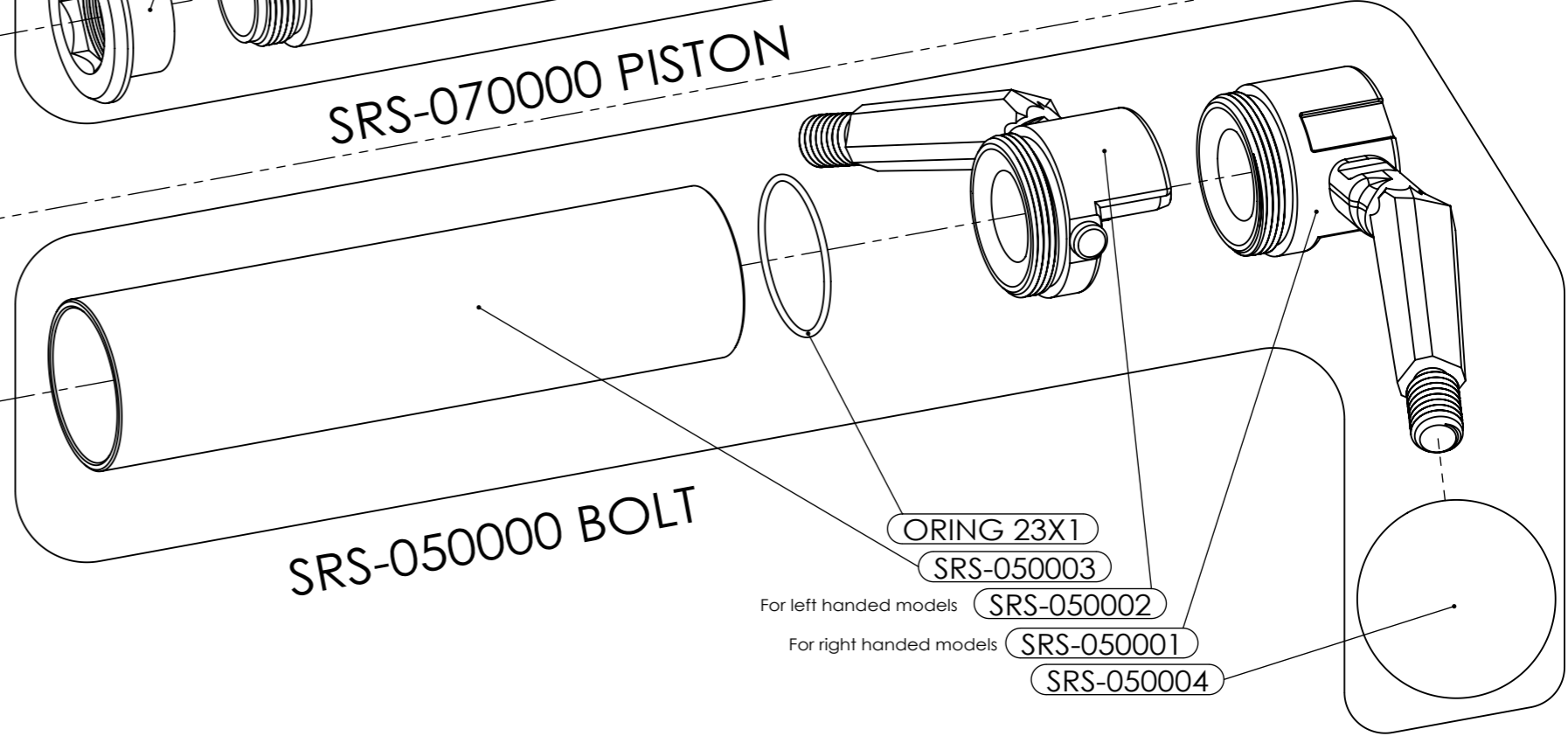
M9 ISO10673 For Sport models only  
 F9-17M Except for Sport models

SRS-070001  
 SRS-070002  
 SRS-070003  
 SRS-070004



SRS-050000 BOLT

ORING 23X1  
 SRS-050003  
 For left handed models SRS-050002  
 For right handed models SRS-050001  
 SRS-050004



ASSEMBLY #:  
 SRS-040000 / SRS-050000  
 SRS-070000 / SRS-080000  
 ASSEMBLY NAME:  
 BUTTPLATE / BOLT  
 PISTON / SPRING GUIDE

DATE:  
 2021/03/29

**SILVERBACK AIRSOFT**  
 SCALE:1:1 SHEET 7 OF 9 A3

8

7

6

5

4

3

2

1

8 7 6 5 4 3 2 1

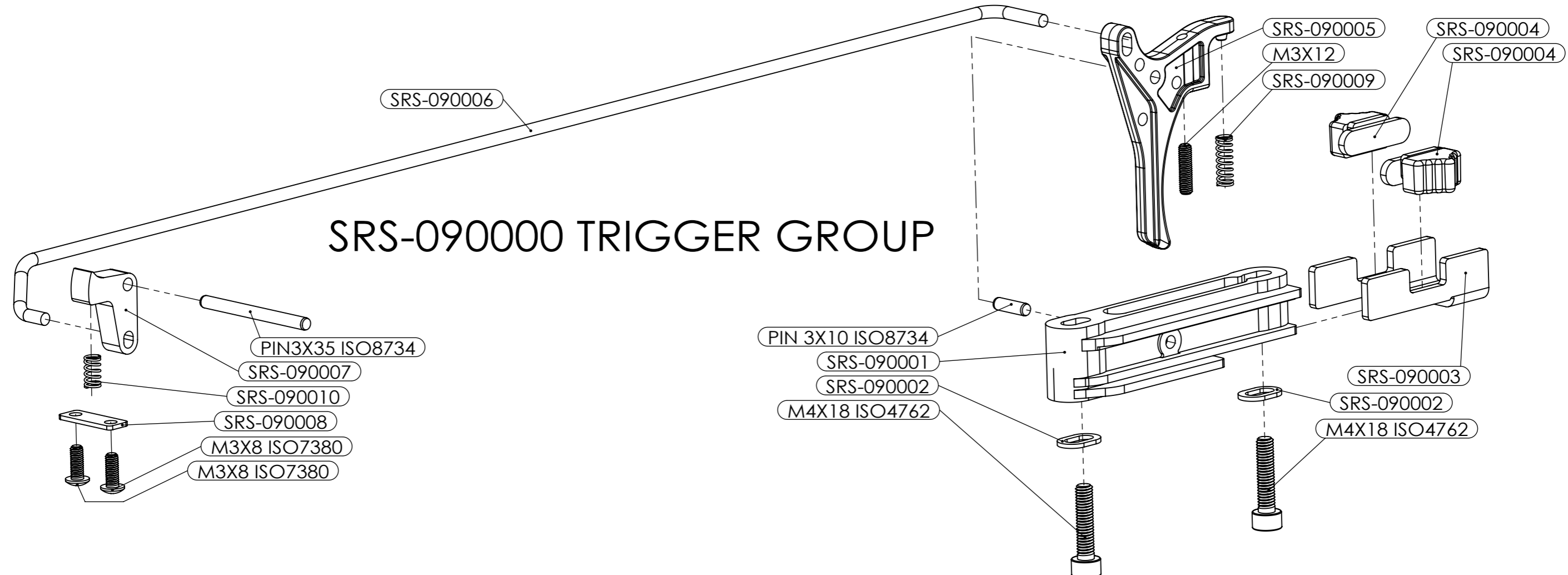
F

F

E

E

# SRS-090000 TRIGGER GROUP



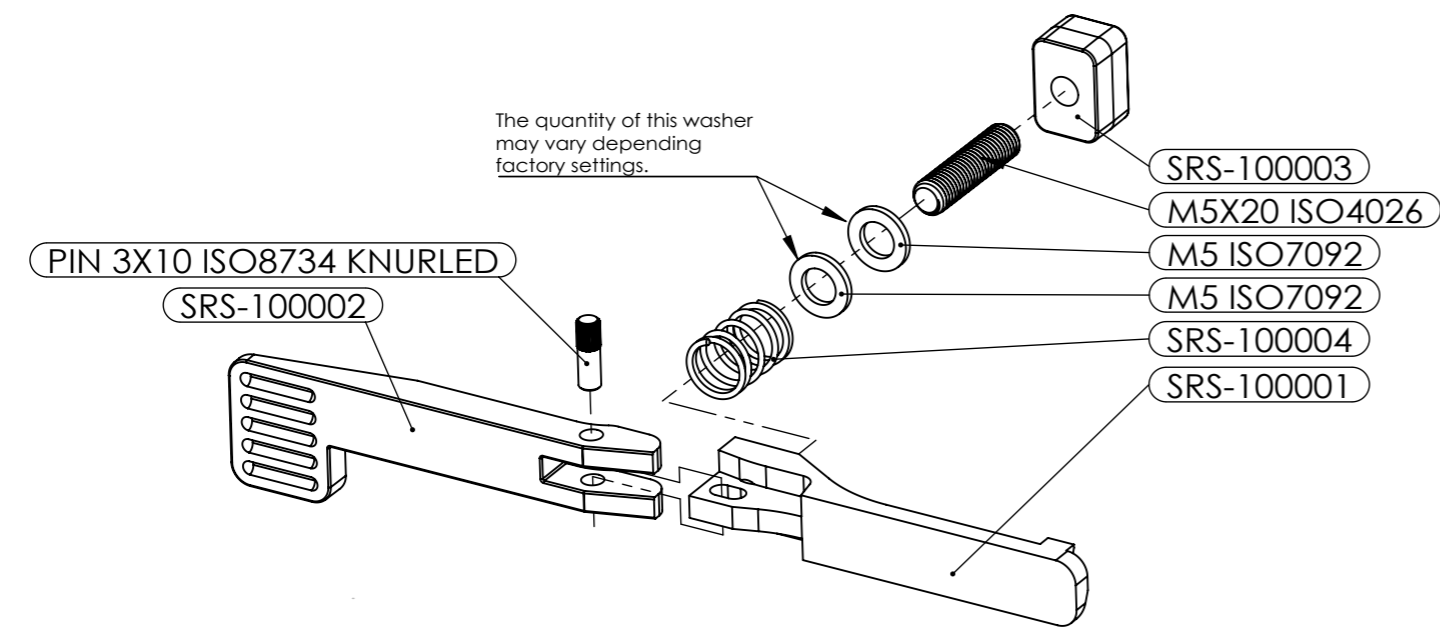
D

D

C

C

# SRS-100000 MAGCATCH



B

B

A

A

ASSEMBLY #: SRS-090000 / SRS-100000	DATE: 2020/09/14	<b>SILVERBACK AIRSOFT</b>
ASSEMBLY NAME: TRIGGER GROUP / MAGCATCH		
		SHEET 8 OF 9
		A3

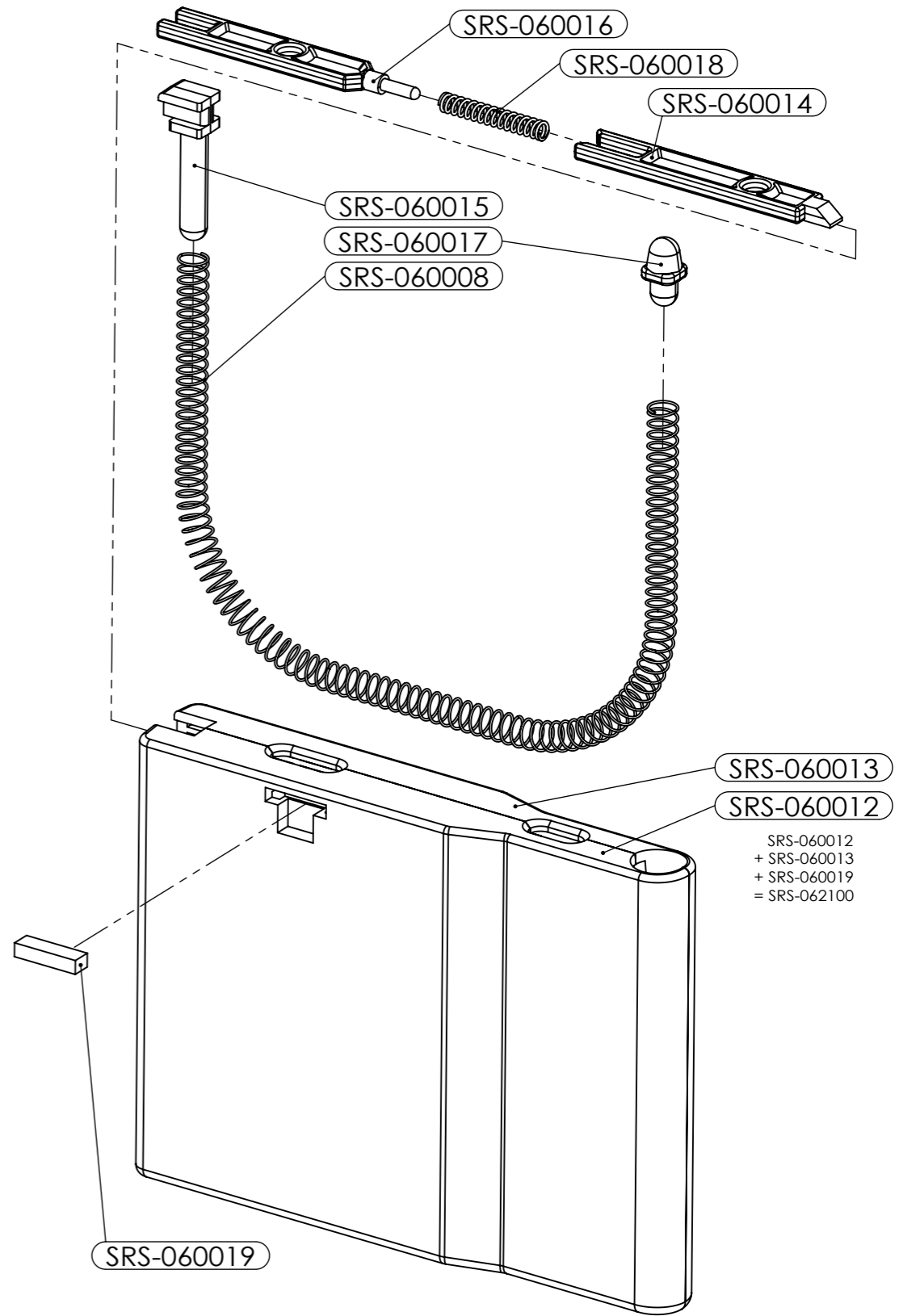
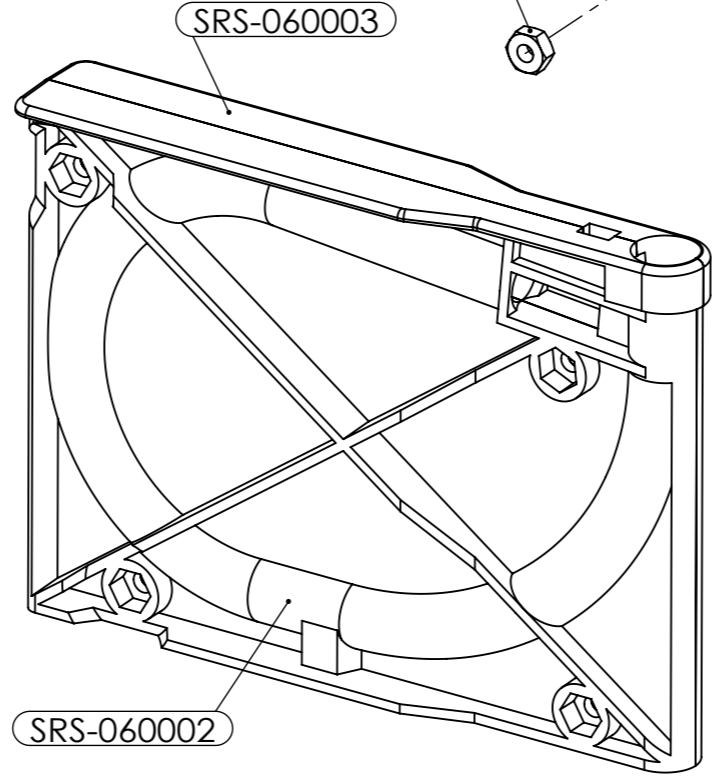
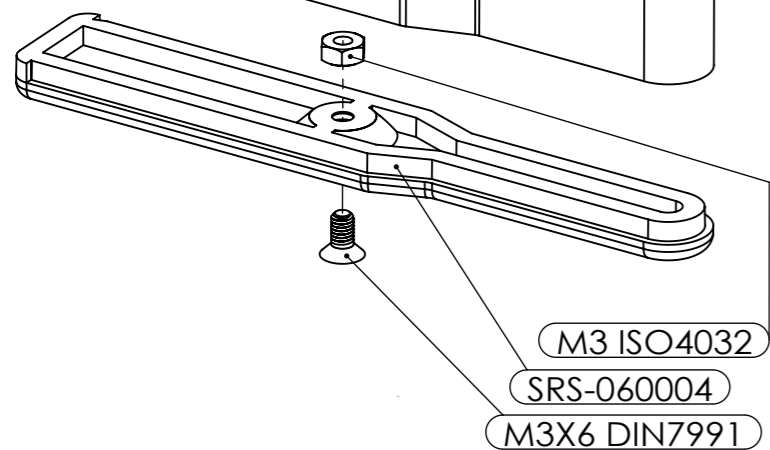
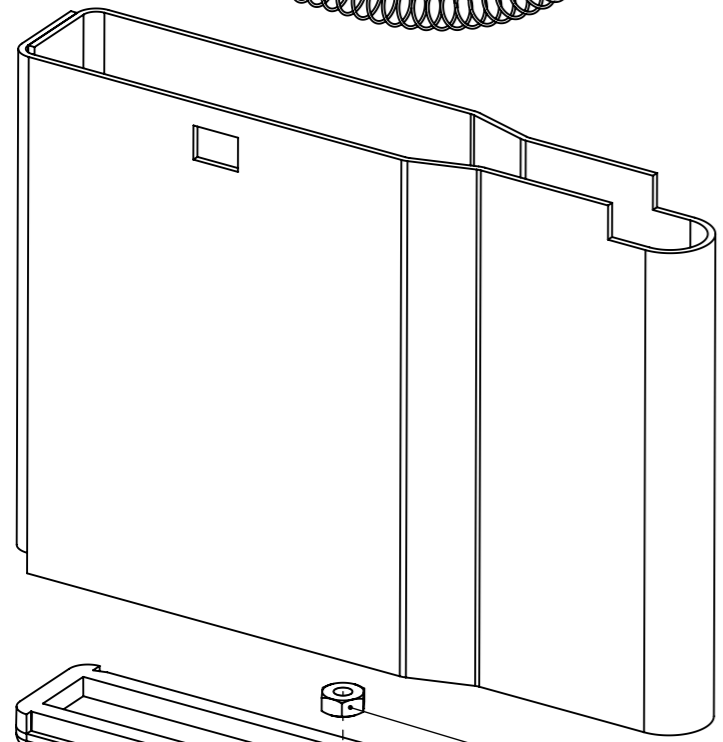
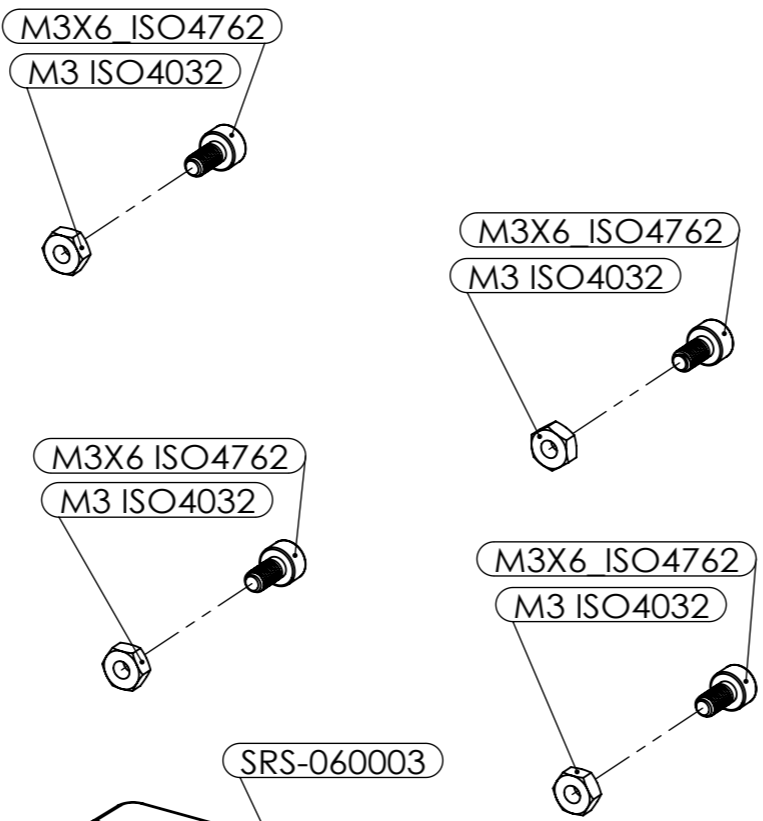
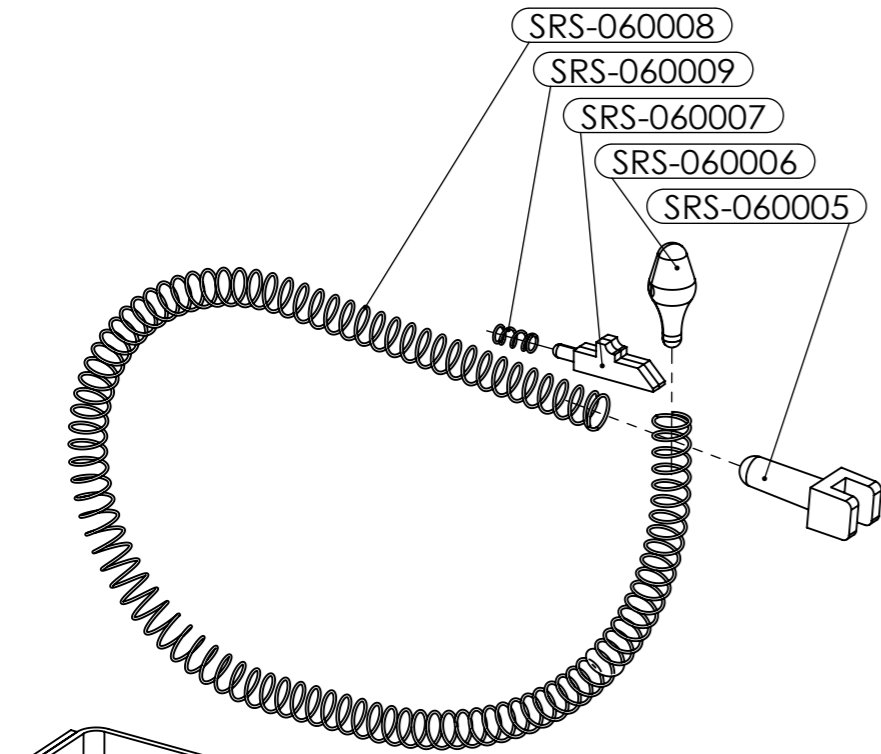
8 7 6 5 4 3 2 1



8 7 6 5 4 3 2 1

F  
E  
D  
C  
B  
A

F  
E  
D  
C  
B  
A



SRS-060012  
+ SRS-060013  
+ SRS-060019  
- SRS-062100

SRS-061000 METAL MAGAZINE

SRS-062000 SPORT MAGAZINE

ASSEMBLY #: SRS-061000 / SRS-062000	DATE: 2020/09/14	<b>SILVERBACK AIRSOFT</b>
ASSEMBLY NAME: METAL MAG. / SPORT MAG.		
		SHEET 9 OF 9
		A3

8 7 6 5 4 3 2 1